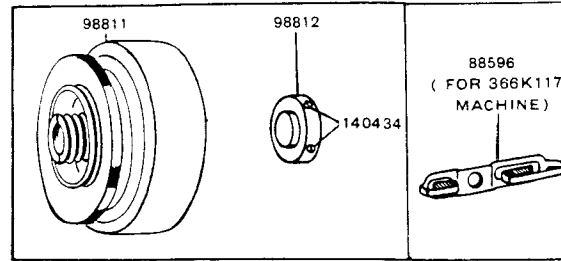


**SINGER**  
**366K117,K145,K146,K225**

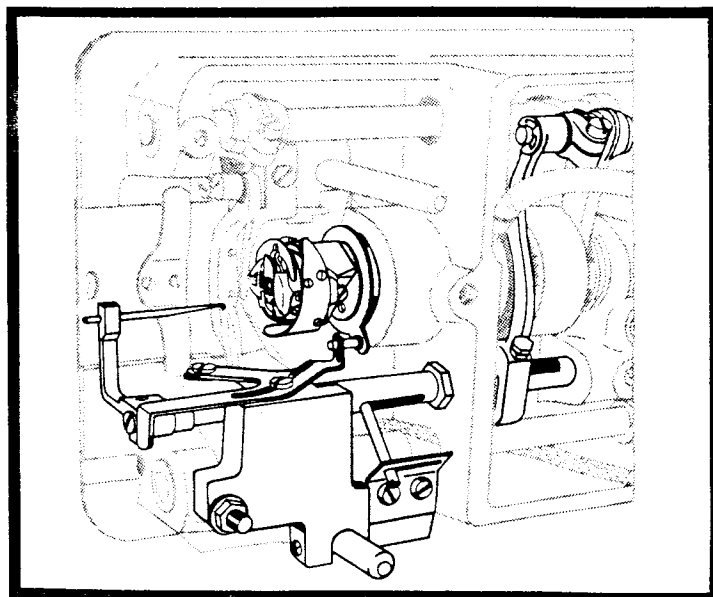
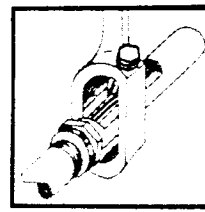
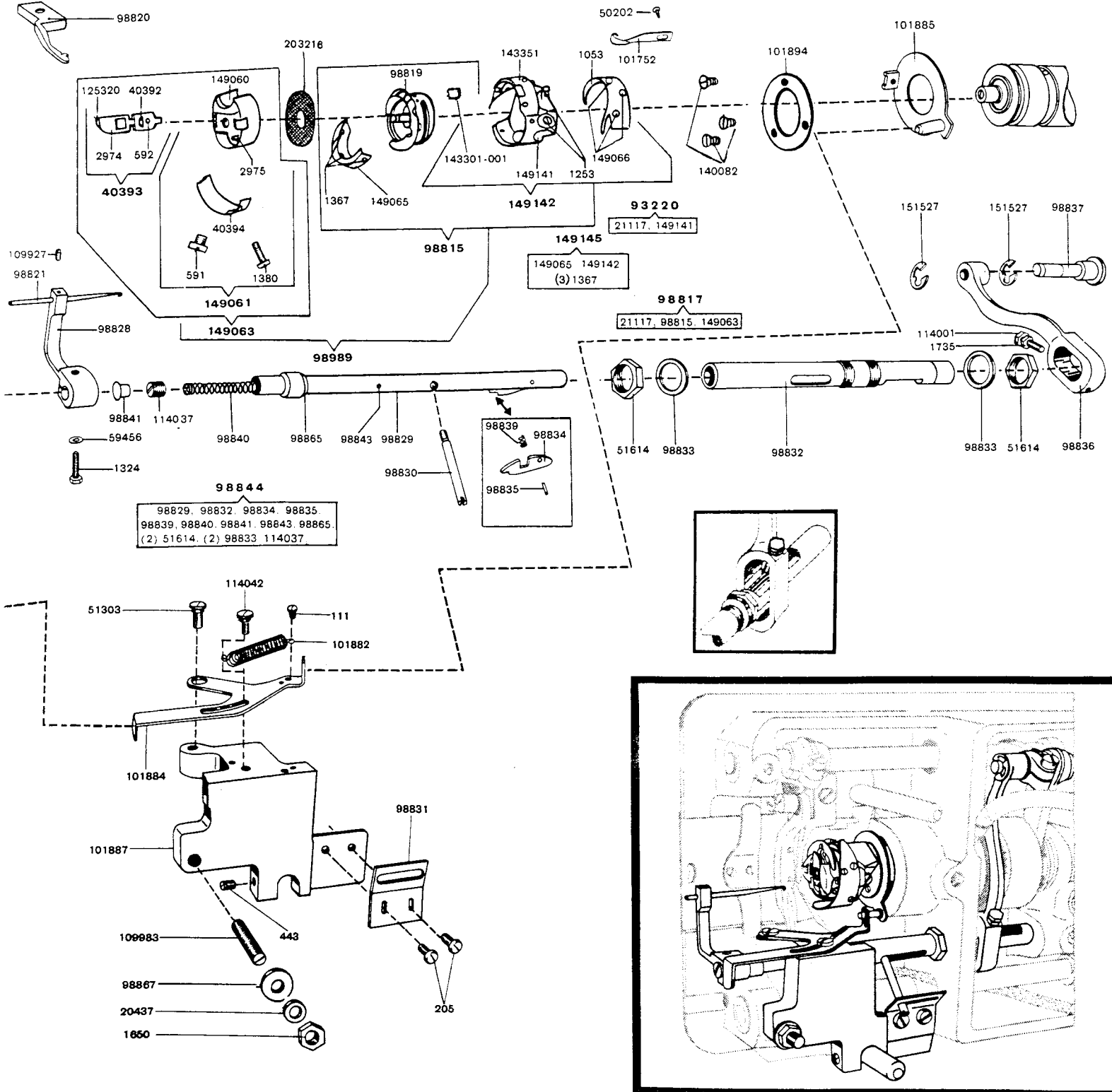
# SINGER\*

366K117, 366K145, 366K146 AND 366K225

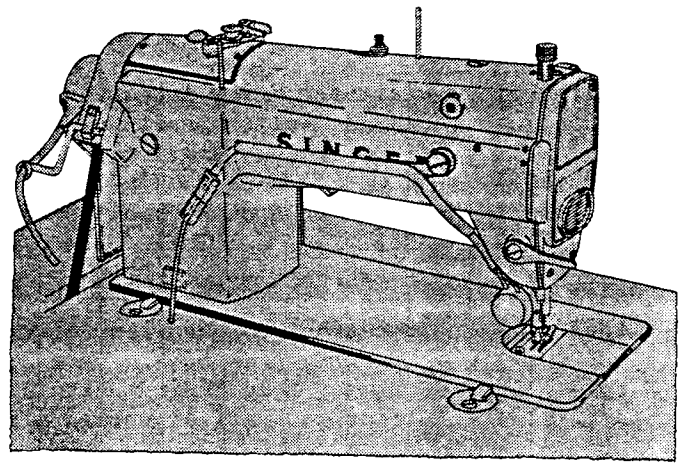
FOR BASIC MACHINE PARTS REFER: FORM K6579— 366K117  
AND 366K225  
FORM K6614— 366K145  
AND 366K146



## THREAD PULLING AND CUTTING MECHANISM PARTS

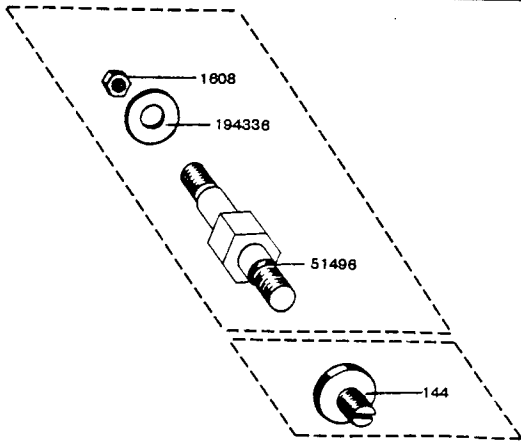


# THREAD WIPER PARTS



101847 FOR 366K145 AND 366K146 ONLY

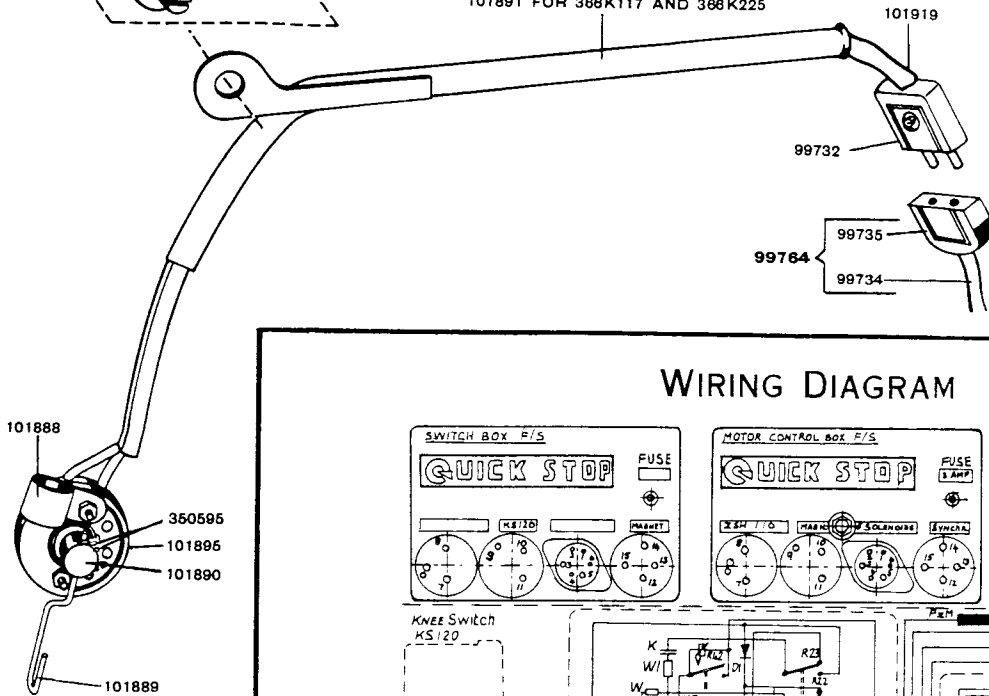
1808, 51496, 99732, 99735, 101888,  
101889, 101890, 101895, 101919 101946, 194336



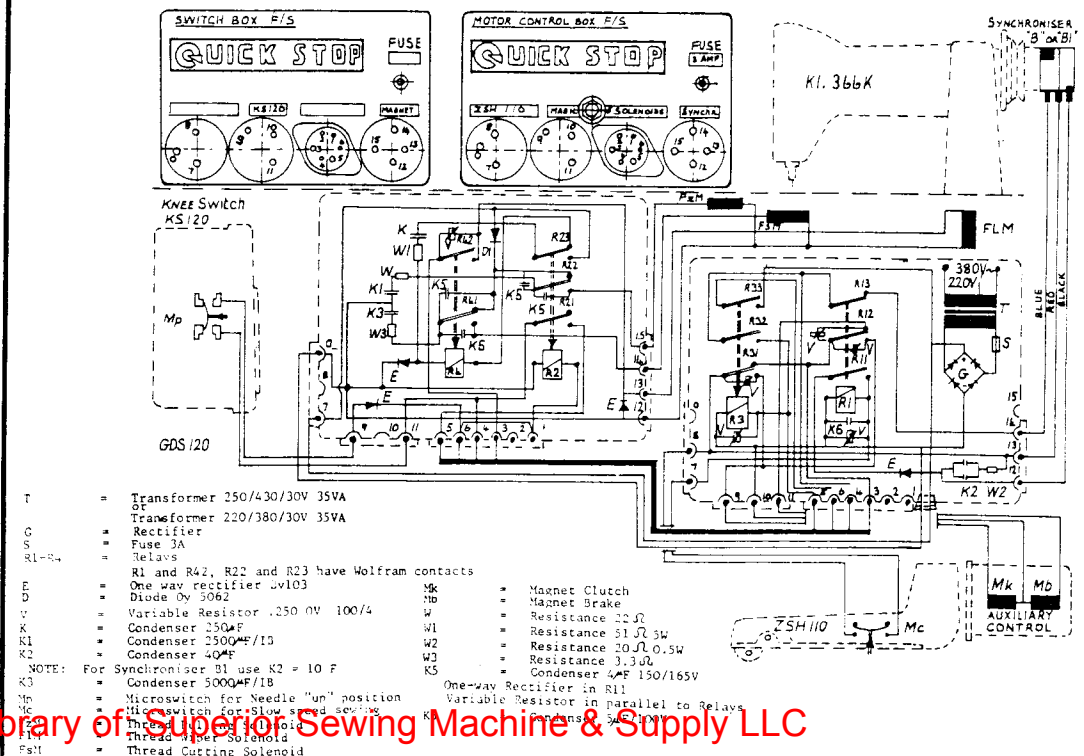
101917 FOR 366K117 AND 366K225 ONLY

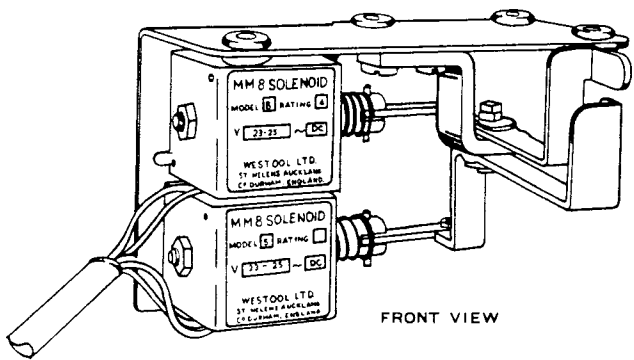
144, 99732, 99735, 101888,  
101889, 101890, 101891, 101895, 101919

101946 FOR 366K145 AND 366K146  
101891 FOR 366K117 AND 366K225

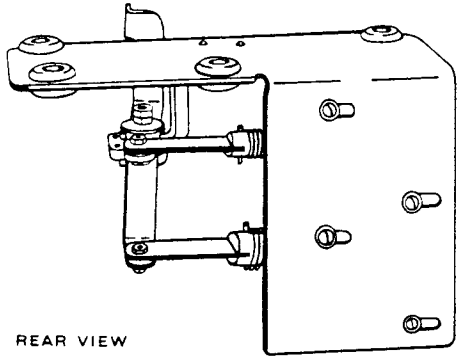


# WIRING DIAGRAM



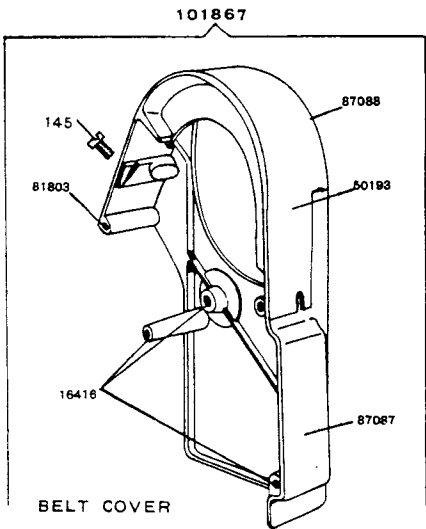
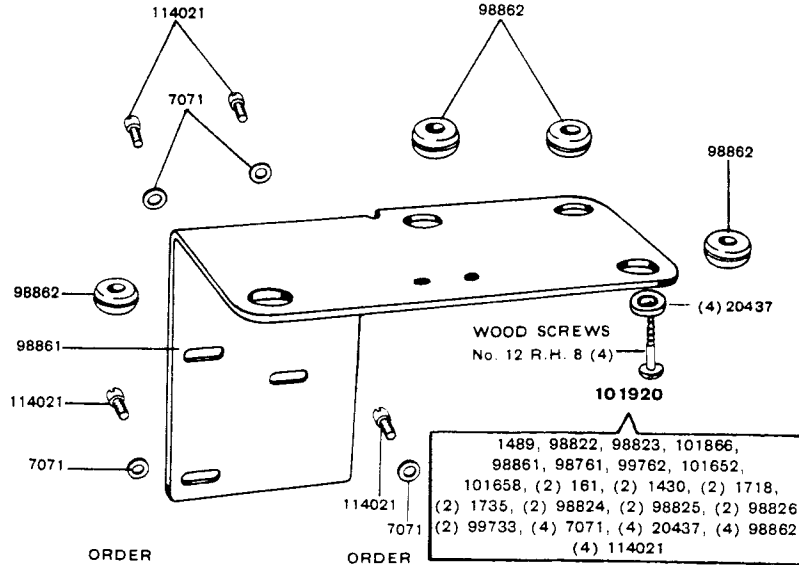


FRONT VIEW

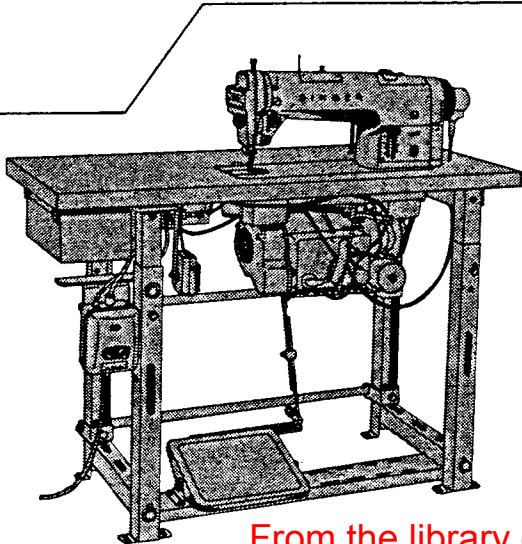
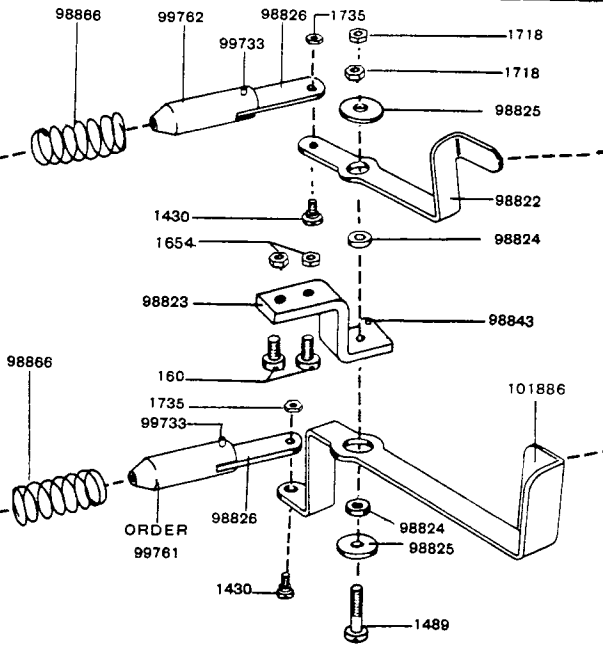
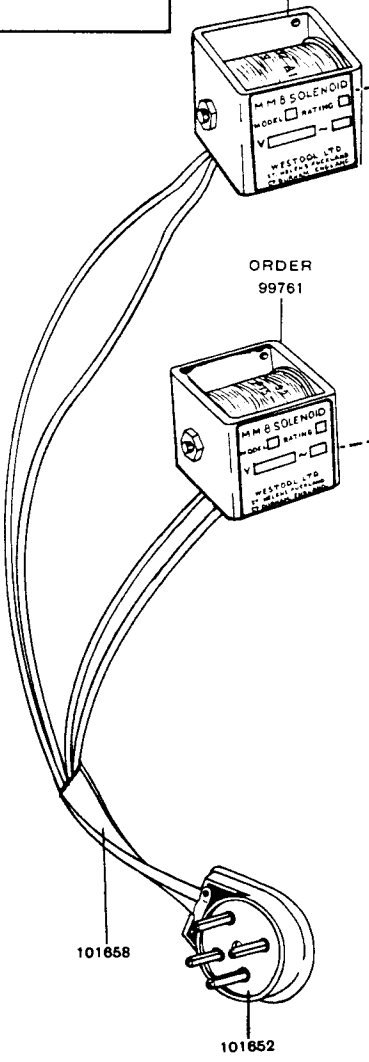


REAR VIEW

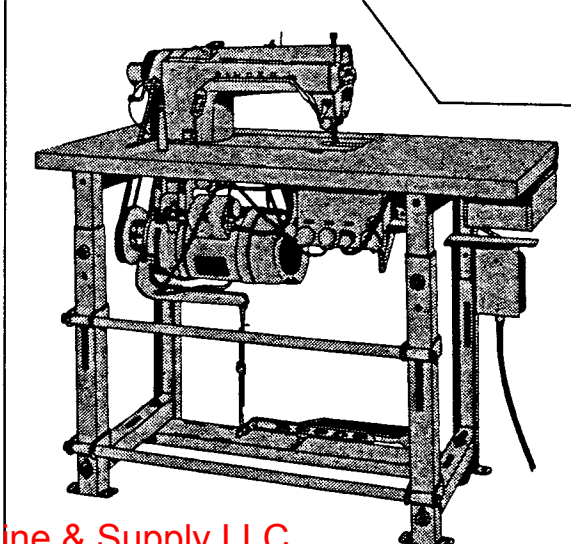
SOLENOID UNIT PARTS



BELT COVER



FRONT VIEW OF COMPLETE UNIT



REAR VIEW OF COMPLETE UNIT

THREAD PULLING AND CUTTING MECHANISM PARTS

<u>Part No.</u>	<u>Description</u>
111(805)	Trimming Knife Actuating Lever Return Spring Securing Screw
205	Thread Puller Shaft Guide Pin Bracket Fastening Screw
443	Trimmer Body Fastening Screw
591(806)	Rotating Hook Bobbin Case Tension Regulating Screw
592(805)	Rotating Hook Bobbin Case Latch Stop Screw
1053(805)	Rotating Hook Thread Guard Screw
1253(830)	Rotating Hook Set Screw
1324	Thread Puller Hook Carrier Clamp Screw
1367(805)	Rotating Hook Section Screw
1380(805)	Rotating Hook Bobbin Case Tension Spring Screw
1650	Trimmer Body Fixing Screw Stud Nut
1735(813)	Trimming Knife Actuating Lever Connecting Link Hinge Screw Lock Nut
2974	Rotating Hook Bobbin Case Latch Lever Fulcrum Pin
2975	Rotating Hook Bobbin Case Latch Spring
20437	Trimmer Body Fixing Screw Stud Washer
40392	Rotating Hook Bobbin Case Latch
40393	Rotating Hook Bobbin Case Latch Hinge Nos. 2974, 40392 and 125320
40394	Rotating Hook Bobbin Case Tension Spring
50202(805)	Trimming Knife Fastening Screw
51303	Trimming Knife Actuating Link Pivot Screw
51614	Thread Puller Shaft Housing Clamp Nut
59456	Thread Puller Hook Carrier Clamp Screw Washer
93220	Rotating Hook (air cooled) 149141 with 21117 (for agents only)
98811	Machine Pulley with two 51283
98812	Machine Pulley Adaptor with two 140434
98815	Rotating Hook (air cooled) 149142 with 98819, 149065 and three 1367(805)
98817	Rotating Hook (air cooled) 98815 with 21117 and 149063 (for agents only)
98819	Rotating Hook Bobbin Case Holder
98820	Rotating Hook Bobbin Case Holder Position Bracket
98821	Thread Puller Hook
98828	Thread Puller Hook Carrier with 1324, 59456 and 109927
98829	Thread Puller Shaft
98830	Thread Puller Shaft Guide Pin
98831	Thread Puller Shaft Guide Pin Bracket
98832	Thread Puller Shaft Housing
98833	Thread Puller Shaft Housing Washer (nylon)
98834	Thread Puller Shaft Latch
98835	Thread Puller Shaft Latch Pivot Pin (spiro)
98836	Thread Puller Shaft Latch Releasing Link with 1735 and 114001
98837	Thread Puller Shaft Latch Releasing Link Hinge Pin
98839	Thread Puller Shaft Latch Spring
98840	Thread Puller Shaft Spring
98841	Thread Puller Shaft Spring Retaining Plug (nylon)
98843	Thread Puller Shaft Spring Stop Pin (spiro) (3/32" dia.)
98844	Thread Puller Shaft Sub-Assembly complete, Nos. 98829, 98832, 98834, 98835, 98839, 98840, 98841, 98843, 98865, 114037, two each 51614 and 98833
98865	Thread Puller Shaft Washer
98867	Trimming Knife Actuating Lever Spacing Washer
98989	Rotating Hook with Bobbin Case, Nos. 98815, 149063 and 203216
101752	Trimming Knife (adjustable)
101882	Trimming Knife Actuating Link Return Spring
101884	Trimming Knife Actuating Link
101885	Trimming Knife Holder Plate
101887	Trimmer Body with 443
101894	Trimming Knife Holder Plate Retainer

SOLENOID UNIT PARTS

<u>Part No.</u>	<u>Description</u>
160(813)	Thread Puller Hook Actuating Lever and Trimming Knife Actuating Lever Hinge Bracket Fixing Screw
1430(813)	Thread Puller Hook Actuating Lever Connecting Link Hinge Screw
1430(813)	Trimming Knife Actuating Lever Connecting Link Hinge Screw
1489(841)	Thread Puller Hook Actuating Lever and Trimming Knife Actuating Lever Hinge Bracket Hinge Screw
1654(813)	Thread Puller Hook Actuating Lever and Trimming Knife Actuating Lever Hinge Bracket Fixing Screw Lock Nut
1718(813)	Thread Puller Hook Actuating Lever and Trimming Knife Actuating Lever Hinge Bracket Hinge Screw Lock Nut
1735(813)	Thread Puller Hook Actuating Lever Connecting Link Hinge Screw Lock Nut
1735(813)	Trimming Knife Actuating Lever Connecting Link Hinge Screw Lock Nut
7071	Thread Puller Hook Cocking Solenoid Securing Screw Washer
7071	Trimming Knife Actuating Solenoid Securing Screw Washer
20437	Solenoid Mounting Bracket Wood Screw Washer
98822(813)	Thread Puller Hook Actuating Lever
98823	Thread Puller Hook Actuating Lever and Trimming Knife Actuating Lever Hinge Bracket
98824	Thread Puller Hook Actuating Lever and Trimming Knife Actuating Lever Hinge Bracket Hinge Screw Spacer
98825(813)	Thread Puller Hook Actuating Lever and Trimming Knife Actuating Lever Washer
98826(841)	Thread Puller Hook Actuating Lever Connecting Link
98826(841)	Trimming Knife Actuating Lever Connecting Link
98843	Thread Puller Hook Actuating Lever and Trimming Knife Actuating Lever Stop Pin
98861	Solenoid Mounting Bracket
98862	Solenoid Mounting Bracket Grommet
98866	Thread Puller Hook Cocking Solenoid Return Spring
98866	Trimming Knife Actuating Solenoid Return Spring
99733	Thread Puller Hook Cocking Solenoid Return Spring Retaining Pin
99733	Trimming Knife Actuating Solenoid Return Spring Retaining Pin
99761	Trimming Knife Actuating Solenoid
99762	Thread Puller Hook Cocking Solenoid
101652	Solenoid Unit Plug (4 pin)
101658	Solenoid Unit Lead
101886	Trimming Knife Actuating Lever
101920	Solenoid Mounting Bracket Assembly complete, Nos. 1489(841), 98822, 98823, 98861, 99734, 99761, 99762, 101652, 101658, 101886, two each 161(813), 1430(813), 1718(813), 1735(813), 98824, 98825, 98826, 98843, 98866, 99733, four each 7071, 20437, 98862, 114021(809) and wood screws No. 12 R.H.B.
114021	Thread Puller Hook Cocking Solenoid Securing Screw
114021	Trimming Knife Actuating Solenoid Securing Screw
-	Wood Screws No. 12 R.H.B.

BELT COVER

<u>Part No.</u>	<u>Description</u>
145(809)	Belt Cover Fixing Screw (back)
16416	Belt Cover (bottom half) Rest Pad
50193(809)	Belt Cover Fixing Screw (front)
81803	Belt Cover (bottom half) Locating Pad (small)
87087	Belt Cover (bottom half)
87088	Belt Cover (top half)
101867	Belt Cover complete, Nos. 145(809), 50193(809), 81803, 87087(728), 87088 and three 16416

88596 Thread Eyelet and Thread Guard (front of arm) for 366K117 Machine



<u>Part No.</u>	<u>Description</u>
109927	Thread Puller Hook Set Screw
109983	Trimmer Body Fixing Screw Stud
114001	Thread Puller Shaft Latch Releasing Link Adjusting Screw
114037	Thread Puller Shaft Spring Adjusting Screw
114042	Trimming Knife Actuating Link Stop Screw
125320	Rotating Hook Bobbin Case Latch Lever
140082	Trimming Knife Holder Plate Retainer Screw
140434	Machine Pulley Adaptor Set Screw
143301-001	Rotating Hook Oil Wick (felt)
143351	Rotating Hook Wiper
149060	Rotating Hook Bobbin Case
149061	Rotating Hook Bobbin Case 149060 with 591(806), 1380(805), and 40394
149063	Rotating Hook Bobbin Case complete, Nos. 592(805), 2975, 40393 and 149061
149065	Rotating Hook Section
149066	Rotating Hook Thread Guard
149141	Rotating Hook (air cooled) with two 1253(830)
149142	Rotating Hook (air cooled) 149141 with 143351, 149066 and four 1053(805)
149145	Rotating Hook (air cooled) 149142 with 149065 and three 1367(805) (for agents only)
151527	Thread Puller Shaft Latch Releasing Link Hinge Pin Retaining Circlip
203216	Rotating Hook Bobbin Case Washer (cloth)

THREAD WIPER PARTS

<u>Part No.</u>	<u>Description</u>
144(809)	Thread Wiper Rotary Solenoid Lead Tube Mounting Bracket Screw for 366K117 and 366K225 Machines
1608(809)	Thread Wiper Rotary Solenoid Lead Tube Mounting Screw Stud Nut for 366K145 and 366K146 Machines
51496(809)	Thread Wiper Rotary Solenoid Lead Tube Mounting Screw Stud for 366K145 and 366K146 Machines
99732	Thread Wiper Rotary Solenoid Lead Plug
99734	Thread Wiper Rotary Solenoid Supply Lead
99735	Thread Wiper Rotary Solenoid Supply Lead Socket
99764	Thread Wiper Rotary Solenoid Supply Lead 99734 with 99735 (for agents only)
101888	Thread Wiper Rotary Solenoid Mounting Bracket
101889	Thread Wiper
101890	Thread Wiper Connector with two 350595(869)
101891	Thread Wiper Rotary Solenoid Lead Tube for 366K117 and 366K225 Machines
101895	Thread Wiper Rotary Solenoid
101917	Thread Wiper Mechanism complete, Nos. 144(809), 99732, 99735, 101888, 101889, 101890, 101891, 101895 and 101919 for 366K117 and 366K225 Machines
101919	Thread Wiper Rotary Solenoid Lead Insulating Cover
101946	Thread Wiper Rotary Solenoid Lead Tube for 366K145 and 366K146 Machines
101947	Thread Wiper Mechanism complete, Nos. 1608(809), 51496(809), 99732, 99735, 101888, 101889, 101890, 101895, 101919, 101946 and 194336(809) for 366K145 and 366K146 Machines
194336(809)	Thread Wiper Rotary Solenoid Lead Tube Mounting Screw Stud Nut Washer for 366K145 and 366K146 Machines
350595(869)	Thread Wiper Connector Securing Screw